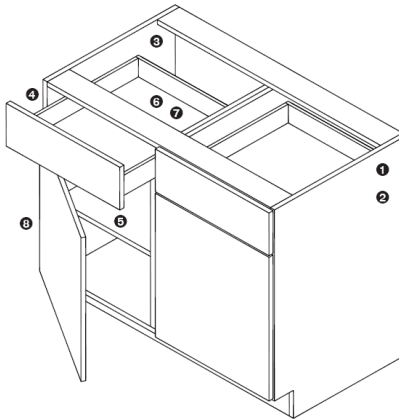


FRAMELESS CABINET CONSTRUCTION (Value Line)



1

CABINET BOX

5/8" thick plywood box construction includes sides bottom, top and toekicks

1/4" thick plywood back with 1/2" reinforced stretchers

Base cabinets have full width top stretchers across front and back

Cam Lock system is used on all cabinets

Wood dowel is used

4" Cabinet Leg Levelers

2

EXTERIOR

Furniture grade finish

3

INTERIOR

Natural finish interior color

Furniture grade finish

4

EDGE TAPE

PVC edge banding with matching color

5

ADJUSTABLE SHELVES

5/8" thick for increased durability

Adjustable shelves are full depth, for added storage

Metal shelf clips

6

DRAWERS

5/8" thick drawer sides

1/4" thick bottom

Dovetail joinery
Clear Finished

7

DRAWER GUIDES

3/4 extension Euro roller slides

White Epoxy Coated

8

HINGES

Fully concealed, 110° opening

Hinges easily adjust and mount